

# LCD Module Specification

Model: LG128644-BMDWH6V

## Table of Contents

- COVER & CONTENTS . . . . . 1
- BASIC SPECIFICATIONS . . . . . 2
- ABSOLUTE MAXIMUM RATINGS . . . . . 4
- ELECTRICAL CHARACTERISTICS . . . . . 4
- COMMUNICATION WITH MPU . . . . . 7
- COMMAND DEFINITIONS . . . . . 11
- INITIALIZATION . . . . . 23
- CHARACTER GENERATOR . . . . . 24
- ELECTRO—OPTICAL CHARACTERISTICS . . . . . 26
- DIMENSIONAL OUTLINE . . . . . 28
- LCD MODULE NUMBERING SYSTEM . . . . . 29
- PRECAUTIONS FOR USE OF LCD MODULE . . . . . 30

### RECORD OF REVISION

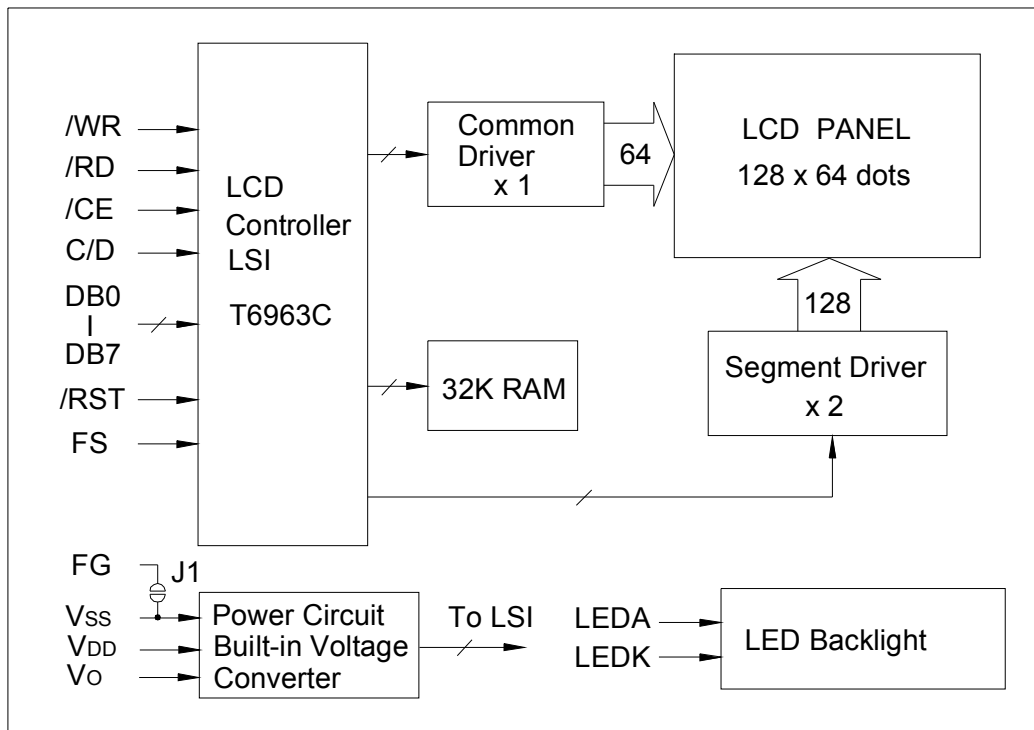
| Rev. | Date       | Page | Item    | Description                          |
|------|------------|------|---------|--------------------------------------|
| 0.1  | 2003/08/06 | --   | --      | New release                          |
| 1.0  | 2005/02/28 | 6    | 3.3     | Modify LED backlight characteristics |
| 1.1  | 2006/12/20 | 6    | 3.4,3.5 | Modify power supply                  |
|      |            |      |         |                                      |

# 1. BASIC SPECIFICATIONS

## 1.1 Features

- Display Format : 128 X 64 Dots
- LCD Mode : STN—Blue—Negative—Transmissive
- Driving Method : 1/64 Duty, 1/9 Bias
- Viewing Direction : 6:00
- Backlight : LED, white color
- Outline Dimension : 78.0(W) X 70.0(H) X 13.5(T) mm
- Viewing Area : 62.0(W) X 44.0(H) mm
- Dot Size : 0.40 X 0.56 mm
- Dot Pitch : 0.44 X 0.60 mm
- Weight : 80 g
- Controller : T6963C
- Display RAM : 32K Bytes
- Internal CGROM : 128 words character generator ROM  
6x8 or 8x8 font selectable
- Display Mode : Text, graphics and combination of text/graphics display
- Power supply : 5.0V for logic, 5.0V for LED backlight  
Built-in DC-DC converter for LCD driving

## 1.2 Block Diagram



### 1.3 Terminal Functions

| Pin No. | Symbol | Level | Function   |
|---------|--------|-------|--|
| 1       | FG     | --    | Frame Ground (connects to Vss via Jumper J1)                                       |
| 2       | VSS    | 0V    | Ground (0V)  |
| 3       | VDD    | +5V   | Power supply for logic   |
| 4       | VO     | --    | Power supply for LCD (contrast adjusting)<br>Open this terminal                    |
| 5       | /WR    | L     | Write signal, active "L"   |
| 6       | /RD    | L     | Read signal, active "L"  |
| 7       | /CE    | L     | Chip enable signal, active "L"   |
| 8       | C/D    | H/L   | Write mode H: Command write L: Data write<br>Read mode H: Status read L: Data read |
| 9       | /RST   | L     | Reset signal, active "L"   |
| 10      | DB0    | H/L   | Data bit0  |
| 11      | DB1    | H/L   | Data bit1  |
| 12      | DB2    | H/L   | Data bit2  |
| 13      | DB3    | H/L   | Data bit3  |
| 14      | DB4    | H/L   | Data bit4  |
| 15      | DB5    | H/L   | Data bit5  |
| 16      | DB6    | H/L   | Data bit6  |
| 17      | DB7    | H/L   | Data bit7  |
| 18      | FS     | H/L   | Font selection H: 6x8 dots L: 8x8 dots   |
| 19      | LEDK   | 0V    | Power supply for LED backlight<br>Refer to section 3.3, 3.5                        |
| 20      | LEDA   | +5V   |  |

## 2. ABSOLUTE MAXIMUM RATINGS

| Item                   | Symbol  | Min. | Max.    | Unit |
|------------------------|---------|------|---------|------|
| Supply Voltage (Logic) | VDD-VSS | -0.3 | 7.0     | V    |
| Supply Voltage (LCD)   | VDD-VO  | -0.3 | 28.0    | V    |
| Input Voltage          | VI      | -0.3 | VDD+0.3 | V    |
| Operating Temp.        | Topr    | -20  | 70      | °C   |
| Storage Temp.          | Tstg    | -30  | 80      | °C   |

## 3. ELECTRICAL CHARACTERISTICS

### 3.1 DC Characteristics

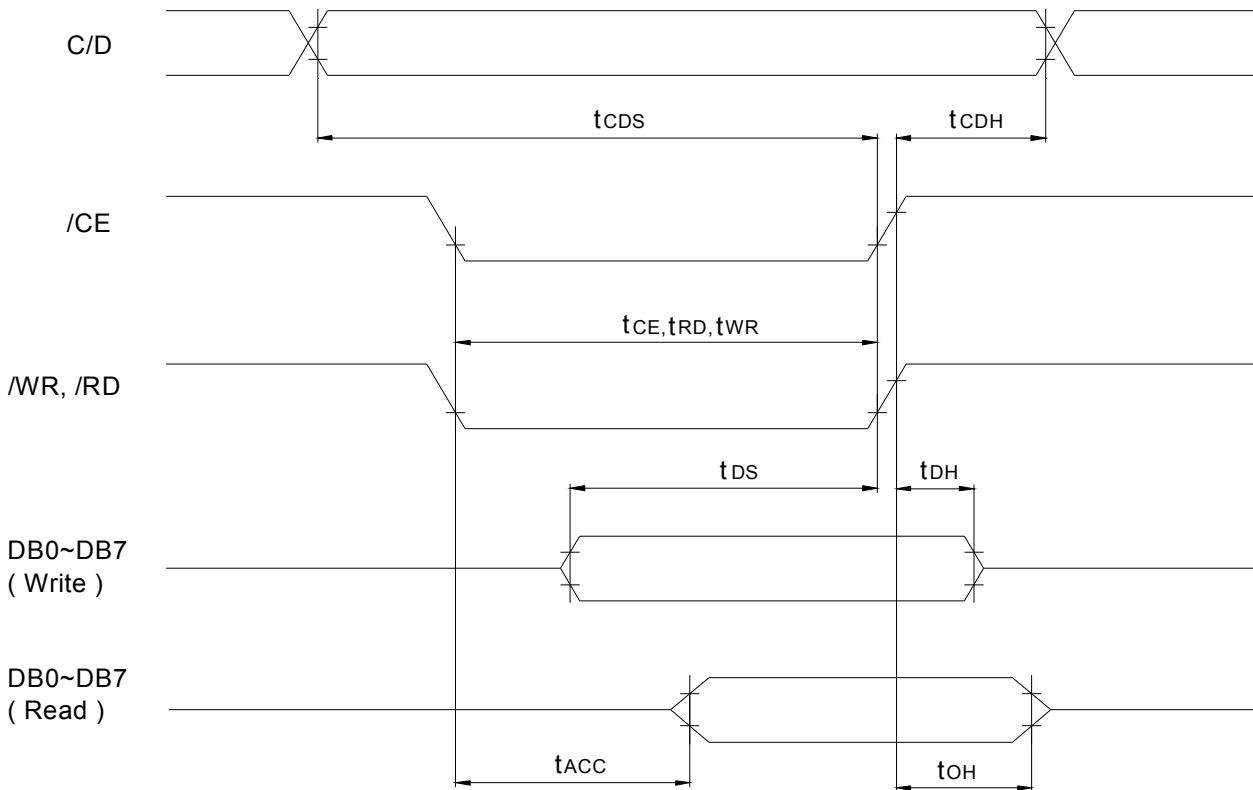
(VDD=5.0V±2%, Ta=25°C)

| Item                       | Symbol | Condition | Min.    | Typ. | Max. | Unit |
|----------------------------|--------|-----------|---------|------|------|------|
| Supply Voltage (Logic)     | VDD    |           | --      | 5.0  | --   | V    |
| Supply Voltage (LCD Drive) | VDD-VO |           | --      | 11.2 | --   | V    |
| Input High Voltage         | VIH    |           | VDD-2.2 | --   | VDD  | V    |
| Input Low Voltage          | VIL    |           | 0       | --   | 0.8  | V    |
| Output High Voltage        | VOH    |           | VDD-0.3 | --   | VDD  | V    |
| Output Low Voltage         | VOL    |           | 0       | --   | 0.3  | V    |
| Supply Current (Logic)     | IDD    | VDD=5.0V  | --      | 10.0 | 15.0 | mA   |

3.2 AC Timing Chart

(VDD=5.0V±10%, Ta=25°C)

| Characteristic            | Symbol  | Min. | Max. | Unit |
|---------------------------|---|------|------|------|
| C/D Setup Time            | t <sub>CDS</sub>                                    | 100  | --   | ns   |
| C/D Hold Time             | t <sub>CDH</sub>                                    | 10   | --   | ns   |
| /CE, /RD, /WR Pulse Width | t <sub>CE</sub> , t <sub>RD</sub> , t <sub>WR</sub> | 80   | --   | ns   |
| Data Setup Time           | t <sub>DS</sub>                                     | 80   | --   | ns   |
| Data Hold Time            | t <sub>DH</sub>                                     | 40   | --   | ns   |
| Access Time               | t <sub>ACC</sub>                                    | --   | 150  | ns   |
| Output Hold Time          | t <sub>OH</sub>                                     | 10   | 50   | ns   |

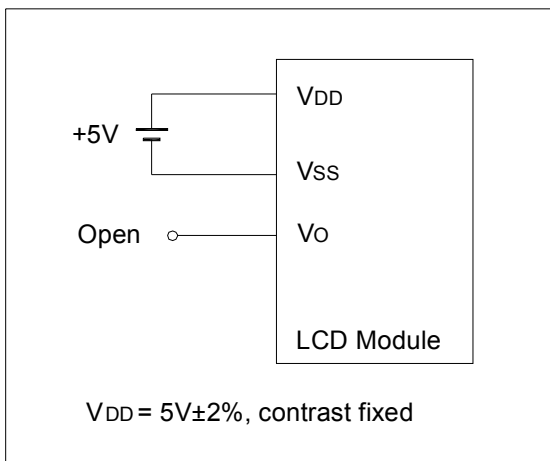


Bus Read/Write Timing

### 3.3 LED Backlight Characteristics (Ta=25°C)

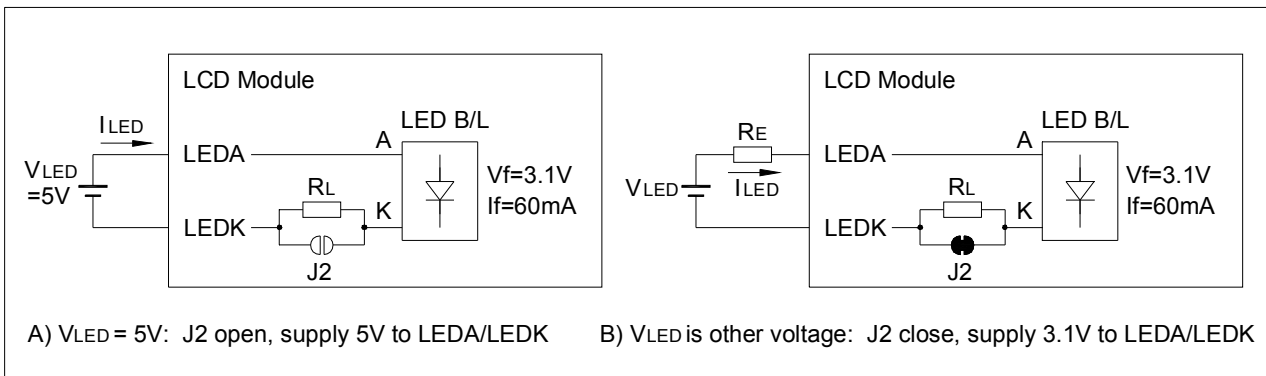
| Item            | Symbol | Condition | Min. | Typ. | Max. | Unit |
|-----------------|--------|-----------|------|------|------|------|
| Forward Voltage | Vf     |           | 2.9  | 3.1  | 3.3  | V    |
| Forward Current | If     | Vf=3.1V   | --   | 60   | --   | mA   |
| Color           | White  |           |      |      |      |      |

### 3.4 Power Supply for Logic and LCD Driving



\* Vo is LCD driving voltage (contrast adjusting). The contrast is fixed for this LCD module.

### 3.5 Power Supply for LED Backlight



\* RL (internal) and RE (external) are the current limiting resistors for LED backlight

- 1) V<sub>LED</sub>=5.0V: J2 open, supply 5.0V to LEDA (Pin 20) and LEDK (Pin 19) <Default>
- 2) V<sub>LED</sub>=3.3V: J2 close, RE=(3.3V-3.1V)/60mA=3.4Ω or larger, supply 3.1V to LEDA (Pin 20) and LEDK (Pin 19)
- 3) V<sub>LED</sub> is other voltage: J2 close, RE=(V<sub>LED</sub>-4.1V)/60mA or larger, supply 3.1V to LEDA (Pin 20) and LEDK (Pin 19)

## 4. COMMUNICATION WITH MPU

### 4.1 RAM Map

The Display RAM is built in the module, and display data (text, graphic and CG data) is written to this display RAM. The built-in controller T6963C automatically reads the display RAM and sends the appropriate data to LCD drivers. The “Control Word Set” command (text home set, text area set, etc.) defines the RAM area which is read by the controller T6963C making the RAM map programmable by the user. If more than 1 screen can be stored in the RAM, vertical scrolling and paging is easily performed by resetting text home and/or graphic home address.

The 32K bytes built-in RAM is located at address 0000H ~ 7FFFH, and the following is an example of RAM mapping.

|       |                                       |   |
|-------|---------------------------------------|---|
| 0000H | Graphic RAM Area<br>(0000H ~ 3BFFH)   | GH=0000H<br>* 6 x 8 Font=10.9 screen<br>* 8 x 8 Font=15.0 screen  |
| 3C00H |                                       |   |
|       | Attribute RAM Area<br>(3C00H ~ 3FFFH) | Text<br>for 1024 characters                                       |
| 4000H | Text RAM Area<br>(4000H ~ 7BFFH)      | TH=4000H<br>* 6 x 8 Font=87.2 screen<br>* 8 x 8 Font=120.0 screen |
| 7C00H |                                       |   |
|       | CG RAM Area<br>(7C00H ~7FFFH)         | CG RAM Offset register<br>For 128 words, set data="0FH"           |
| 7FFFH |                                       |   |

### 4.2 Status Read

Status of the T6963C should be checked between all command and data in order to complete a communication cycle with the MPU. The status can be read from 8 bits data lines (D0 to D7) by setting C/D="H", /RD="L", /WR="H" and /CE="L".

The T6963C status word format is as follows:

|      |      |      |      |      |      |      |      |
|------|------|------|------|------|------|------|------|
| MSB  |      |      |      | LSB  |      |      |      |
| STA7 | STA6 | STA5 | STA4 | STA3 | STA2 | STA1 | STA0 |
| D7   | D6   | D5   | D4   | D3   | D2   | D1   | D0   |

|      |  |                                       |
|------|--|---------------------------------------|
| STA0 | Check command execution capability                         | 0 : Disable<br>1 : Enable             |
| STA1 | Check data read/write capability                           | 0 : Disable<br>1 : Enable             |
| STA2 | Check Auto mode data read capability                       | 0 : Disable<br>1 : Enable             |
| STA3 | Check Auto mode data write capability                      | 0 : Disable<br>1 : Enable             |
| STA4 | Not used   |                                       |
| STA5 | Check controller operation capability                      | 0 : Disable<br>1 : Enable             |
| STA6 | Error flag. Used for Screen Peek and Screen Copy commands. | 0 : No error<br>1 : Error             |
| STA7 | Check the blink condition                                  | 0 : Display off<br>1 : Normal display |

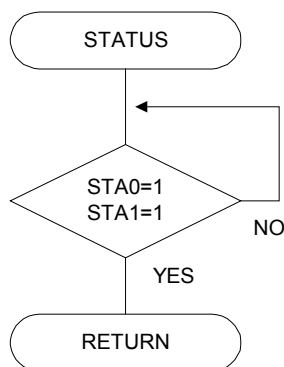
(Note 1) It is necessary to check STA0 and STA1 at the same time.

(Note 2) For most modes STA0/STA1 are used as a status check.

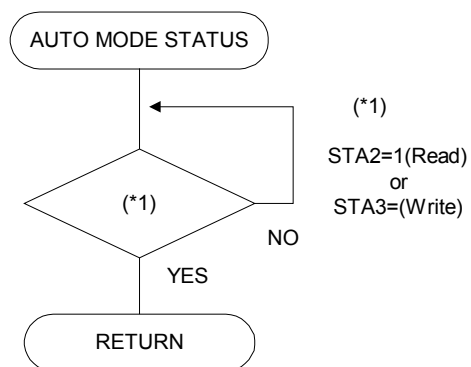
(Note 3) STA2 and STA3 are used in Auto mode.

Status checking flow

a) Status check 1



b) Status check 2



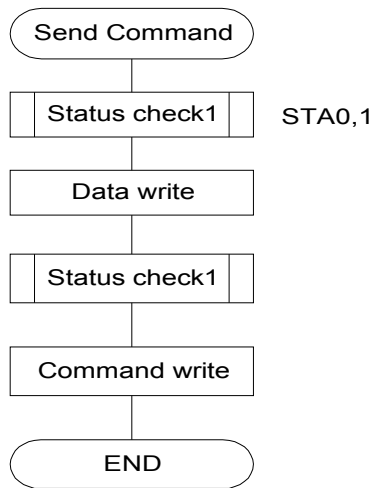


### 4.3 Setting data

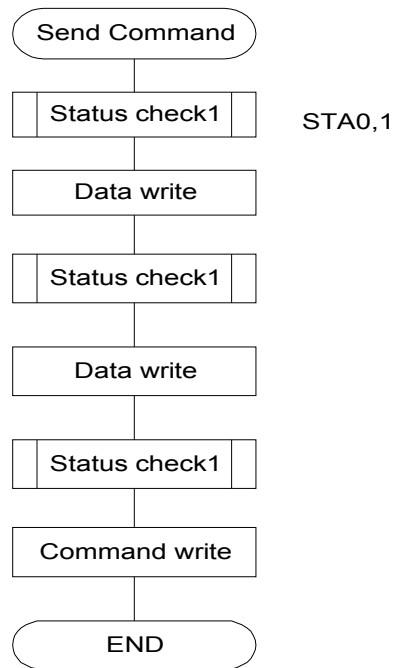
When using a command with operand data, first send the data, then send the command.

#### Procedure for sending a command

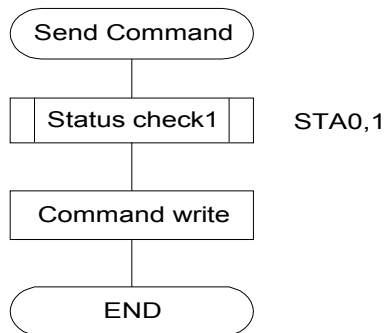
1) Command with 1 byte data



2) Command with 2 bytes data

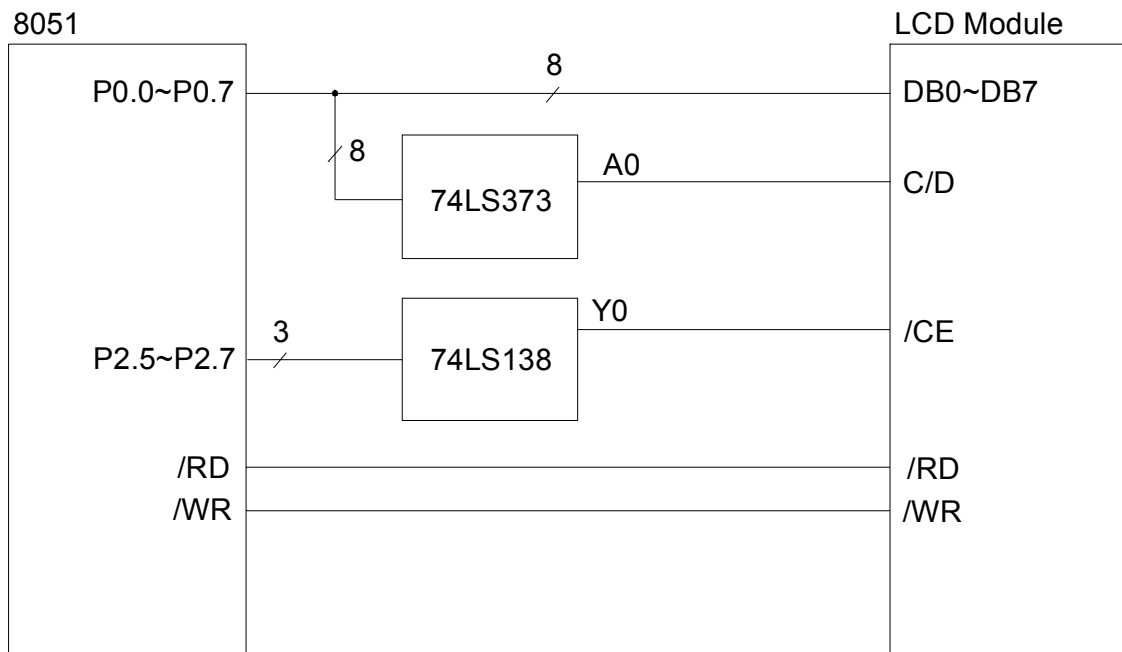


3) Command with no data

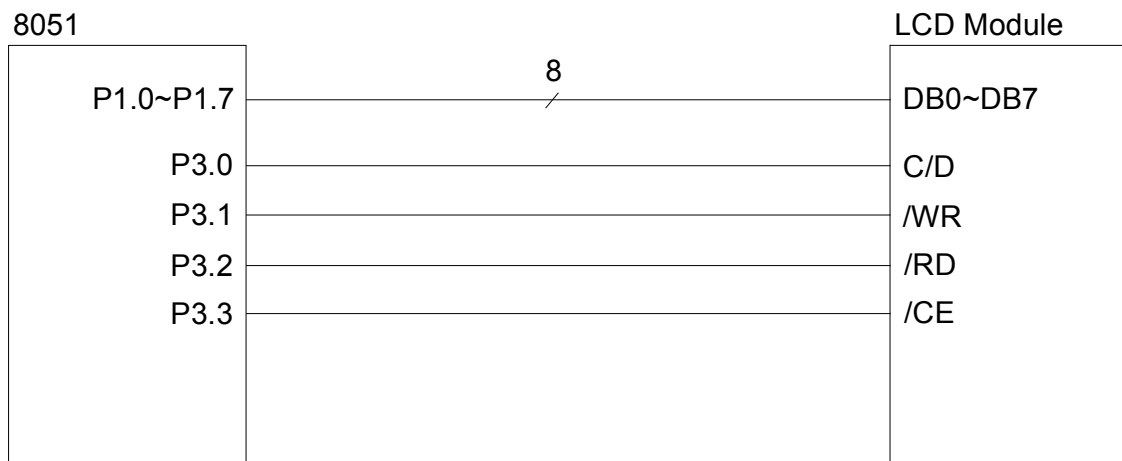


(Note) When sending more than two data, the last datum (or last two data) is valid.

### 4.4 Connection with 8051 Family MPU



a. Application Circuit 1



b. Application Circuit 2

### 5. COMMAND DEFINITIONS

| COMMAND               | CODE     | D1          | D2           | FUNCTION                       |
|-----------------------|----------|-------------|--------------|--------------------------------|
| REGISTERS SETTING     | 00100001 | X address   | Y address    | Set Cursor Pointer             |
|                       | 00100010 | Data        | 00H          | Set Offset Register            |
|                       | 00100100 | Low address | High address | Set Address Pointer            |
| SET CONTROL WORD      | 01000000 | Low address | High address | Set Text Home Address          |
|                       | 01000001 | Columns     | 00H          | Set Text Area                  |
|                       | 01000010 | Low address | High address | Set Graphic Home Address       |
|                       | 01000011 | Columns     | 00H          | Set Graphic Area               |
| MODE SET              | 1000X000 | --          | --           | OR mode                        |
|                       | 1000X001 | --          | --           | EXOR mode                      |
|                       | 1000X011 | --          | --           | AND mode                       |
|                       | 1000X100 | --          | --           | Text Attribute mode            |
|                       | 10000XXX | --          | --           | CG ROM mode                    |
|                       | 10001XXX | --          | --           | CG RAM mode                    |
| DISPLAY MODE          | 10010000 | --          | --           | Display off                    |
|                       | 1001XX10 | --          | --           | Cursor on, blink off           |
|                       | 1001XX11 | --          | --           | Cursor on, blink on            |
|                       | 100101XX | --          | --           | Text on, graphic off           |
|                       | 100110XX | --          | --           | Text off, graphic on           |
|                       | 100111XX | --          | --           | Text on, graphic on            |
| CURSOR PATTERN SELECT | 10100000 | --          | --           | 1-line cursor                  |
|                       | 10100001 | --          | --           | 2-line cursor                  |
|                       | 10100010 | --          | --           | 3-line cursor                  |
|                       | 10100011 | --          | --           | 4-line cursor                  |
|                       | 10100100 | --          | --           | 5-line cursor                  |
|                       | 10100101 | --          | --           | 6-line cursor                  |
|                       | 10100110 | --          | --           | 7-line cursor                  |
|                       | 10100111 | --          | --           | 8-line cursor                  |
| DATA AUTO READ/ WRITE | 10110000 | --          | --           | Set Data Auto Write            |
|                       | 10110001 | --          | --           | Set Data Auto Read             |
|                       | 10110010 | --          | --           | Auto Reset                     |
| DATA READ/WRITE       | 11000000 | Data        | --           | Data Write and Increment ADP   |
|                       | 11000001 | --          | --           | Data Read and Increment ADP    |
|                       | 11000010 | Data        | --           | Data Write and Decrement ADP   |
|                       | 11000011 | --          | --           | Data Read and Decrement ADP    |
|                       | 11000100 | Data        | --           | Data Write and Nonvariable ADP |
|                       | 11000101 | --          | --           | Data Read and Nonvariable ADP  |
| SCREEN PEEK           | 11100000 | --          | --           | Screen Peek                    |
| SCREEN COPY           | 11101000 | --          | --           | Screen Copy                    |
| BIT SET/RESET         | 11110XXX |             |              | Bit Reset                      |
|                       | 11111XXX |             |              | Bit Set                        |
|                       | 1111X000 |             |              | Bit 0 (LSB)                    |
|                       | 1111X001 |             |              | Bit 1                          |
|                       | 1111X010 |             |              | Bit 2                          |
|                       | 1111X011 |             |              | Bit 3                          |
|                       | 1111X100 |             |              | Bit 4                          |
|                       | 1111X101 |             |              | Bit 5                          |
|                       | 1111X110 |             |              | Bit 6                          |
|                       | 1111X111 |             |              | Bit 7 (MSB)                    |

X : Don't care

### 5.1 Set Registers

| CODE     | HEX. | FUNCTION            | D1       | D2        |
|----------|------|---------------------|----------|-----------|
| 00100001 | 21H  | SET CURSOR POINTER  | X ADRS   | Y ADRS    |
| 00100010 | 22H  | SET OFFSET REGISTER | DATA     | 00H       |
| 00100100 | 24H  | SET ADDRESS POINTER | LOW ADRS | HIGH ADRS |

#### 5.1.1 Set Cursor Pointer

The position of the cursor is specified by X ADRS AND Y ADRS. The cursor position can only be moved by this command. Data read/write from the MPU never changes the cursor pointer. X ADRS and Y ADRS are specified as follows.

X ADRS: 00H to 4FH, Horizontal cursor position counted by “character”, 6 or 8 dots width.

Y ADRS: 00H to 1FH, Vertical cursor position counted by “character”, 8 dots height.

Note: Please note that the cursor position should be within actual display area.

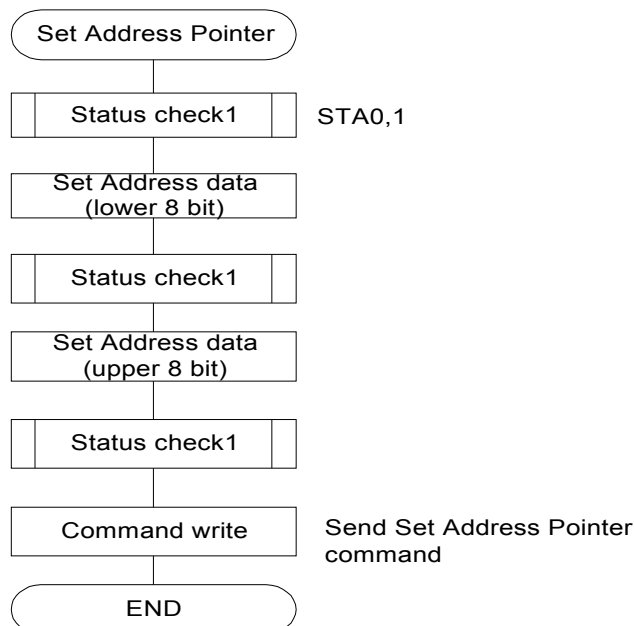
#### 5.1.2 Set Offset Register

The Set Offset Register command is used to determine the character generator RAM area. The upper 5 bits in start address of CG area is set as the lower 5 bits of D1, and the upper 3 bits of D1 are neglected. D2 should be 00H. Refer to section 7 “Character Generator” for details of the CG RAM.

#### 5.1.3 Set Address Pointer

The Set Address Pointer command is used to indicate the start address for writing/reading data to/from the built-in RAM.

The flowchart for Set Address Pointer command



5.2 Set Control Word

| CODE     | HEX. | FUNCTION                 | D1          | D2           |
|----------|------|--------------------------|-------------|--------------|
| 00100000 | 40H  | Set Text Home Address    | Low address | High address |
| 00100001 | 41H  | Set Text Area            | Columns     | 00H          |
| 00100010 | 42H  | Set Graphic Home Address | Low address | High address |
| 00100011 | 43H  | Set Graphic Area         | Columns     | 00H          |

The home address of display RAM and column size are defined by this command.

5.2.1 Set Text Home Address (TH)

This command defines the starting address of display RAM for text display. The data in the text home address (TH) is displayed at the home position of display (left end character on 1st row.)

5.2.2 Set Text Area (TA)

This command defines the number of columns by D1. Text area can be defined independently from the number of characters fixed by hardware setting of controller LSI. The text area is usually defined as the actual number of characters on LCD display, so addressing can be continuous in the text area.

The relationship between display RAM address and display position (text display)

a) for 8x8 font: TA=10H, 16 characters per row

|        |    |            |
|--------|----|------------|
| TH     | -- | TH+0FH     |
| TH+TA  | -- | TH+TA+0FH  |
| TH+2TA | -- | TH+2TA+0FH |
| --     | -- | --         |
| TH+7TA | -- | TH+7TA+0FH |

b) for 6x8 font: TA=16H, 21.3 characters per row

|        |    |            |
|--------|----|------------|
| TH     | -- | TH+15H     |
| TH+TA  | -- | TH+TA+15H  |
| TH+2TA | -- | TH+2TA+15H |
| --     | -- | --         |
| TH+7TA | -- | TH+7TA+15H |

### 5.2.3 Set Graphic Home Address (GH)

This command defines the starting address of display RAM for the graphic display. The data in the Graphic home address (GH) is displayed at the home position of display (left end 8 bits in 1st line). When using the attribute function, the graphic home address indicates the starting address of distribute RAM area.

### 5.2.4 Graphic Address Set (GA)

This command defines the number of columns by D1. The graphic area can be defined independently from the number of characters fixed by hardware setting of controller LSI. If the graphic area is defined as the actual number of columns on the LCD display, the address in graphic area can be continuous and the RAM area can be used without ineffective areas. Note that the graphic area will be different depending on character font settings even if horizontal dot number is the same.

The relationship between display RAM address and display position (graphic display)

a) for 8x8 font: GA=10H, 16x8=128 dots

|         |    |             |
|---------|----|-------------|
| GH      | -- | GH+0FH      |
| GH+GA   | -- | GH+GA+0FH   |
| GH+2GA  | -- | GH+2GA+0FH  |
| --      | -- | --          |
| TH+63GA | -- | TH+63GA+0FH |

8 bits data is as follows:

|     |    |    |    |    |    |    |     |
|-----|----|----|----|----|----|----|-----|
| MSB |    |    |    |    |    |    | LSB |
| d7  | d6 | d5 | D4 | d3 | d2 | d1 | d0  |

b) for 6x8 font: GA=16H, 22x6-4=128 dots

|         |    |             |
|---------|----|-------------|
| GH      | -- | GH+15H      |
| GH+GA   | -- | GH+GA+15H   |
| GH+2GA  | -- | GH+2GA+15H  |
| --      | -- | --          |
| TH+63GA | -- | TH+63GA+15H |

8 bits data is as follows:

|     |   |    |    |    |     |    |    |
|-----|---|----|----|----|-----|----|----|
| MSB |   |    |    |    | LSB |    |    |
| X   | X | d5 | D4 | d3 | d2  | d1 | d0 |

X: Invalid data

### 5.3 Mode Set

| CODE     | FUNCTION                                     | OPERAND |
|----------|--|---------|
| 1000X000 | Logically "OR" of Graphic and Text display   | --      |
| 1000X001 | Logically "EXOR" of Graphic and Text display | --      |
| 1000X011 | Logically "AND" of Graphic and Text display  | --      |
| 1000X100 | Text Attribute Mode                          | --      |
| 10000XXX | CG ROM mode                                  | --      |
| 10001XXX | CG RAM mode                                  | --      |

X : Don't care

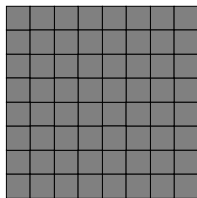
Mode set command selects character generator (CG ROM Mode/CG RAM Mode), and combination of text/graphic display. The display mode does not change until the next command is sent. The logical OR, EXOR, AND of text or graphic display can be displayed.

CG ROM mode: Built-in 128 character CG ROM (code: 00H - 7FH) and built-in CG RAM for 128 characters can be used (code: 80H - FFH).

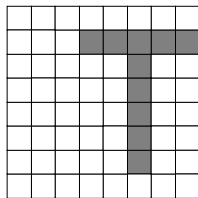
CG RAM mode: Built-in CG RAM for 256 characters (code: 00H - FFH) can be used.

When CG ROM Mode is selected, character code 00H - 7FH is selected from built-in CG ROM and character code 80H – FFH is automatically selected from CG RAM.

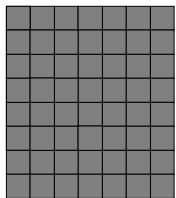
(Example)



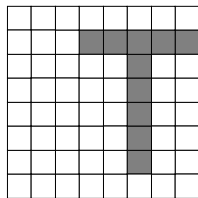
GRAPHIC



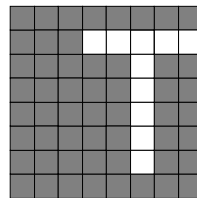
TEXT



"OR"



"AND"



"EXOR"

### Attribute function

Attribute operations are “Reverse display”, “Character blink” and “Inhibit” in text display mode. The attribute data is written in the graphic area defined by Set Control Word command (Graphic home address set and Graphic area set). Only text display is possible in Attribute Function mode, since the attribute data is stored in the graphic RAM area, graphic display is automatically disabled. However, the Display Mode command must be used to turn both Text and Graphic on in order for the Attribute function to be available. The attribute data of the 1st character in “Text area” is written at the 1st byte in “graphic area”, and attribute data of nth character is written at the nth byte in “Graphic area”. The attribute function is defined as follows.

### Attribute RAM 1 byte

|   |   |   |   |    |    |    |    |
|---|---|---|---|----|----|----|----|
| X | X | X | X | d3 | d2 | d1 | d0 |
|---|---|---|---|----|----|----|----|

X : Don't care

| d3 | d2 | d1 | d0 | FUNCTION                 |
|----|----|----|----|--------------------------|
| 0  | 0  | 0  | 0  | Normal display           |
| 0  | 1  | 0  | 1  | Reverse display          |
| 0  | 0  | 1  | 1  | Inhibit display          |
| 1  | 0  | 0  | 0  | Blink of normal display  |
| 1  | 1  | 0  | 1  | Blink of reverse display |
| 1  | 0  | 1  | 1  | Blink of inhibit display |



### 5.4 Display Mode

| CODE     | FUNCTION             | OPERAND |
|----------|----------------------|---------|
| 10010000 | Display off          | --      |
| 1001XX10 | Cursor on, blink off | --      |
| 1001XX11 | Cursor on, blink on  | --      |
| 100101XX | Text on, graphic off | --      |
| 100110XX | Text off, graphic on | --      |
| 100111XX | Text on, graphic on  | --      |

X : Don't care

|   |   |   |   |    |    |    |    |
|---|---|---|---|----|----|----|----|
| 1 | 0 | 0 | 1 | d3 | d2 | d1 | d0 |
|---|---|---|---|----|----|----|----|

d0: Cursor blink      d0=1: on, d0=0: off

d1: Cursor display    d1=1: on, d1=0: off

d2: Text display      d2=1: on, d2=0: off

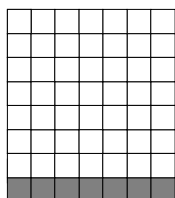
d3: Graphic display   d3=1: on, d3=0: off

(Note) It is necessary to turn on "Text display" and "Graphic display" in the following cases:  
 a) Combination of text/graphic display  
 b) Attribute function

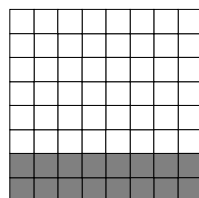
### 5.5 Cursor Pattern Select

| CODE     | FUNCTION      | OPERAND |
|----------|---------------|---------|
| 10100000 | 1-line cursor | --      |
| 10100001 | 2-line cursor | --      |
| 10100010 | 3-line cursor | --      |
| 10100011 | 4-line cursor | --      |
| 10100100 | 5-line cursor | --      |
| 10100101 | 6-line cursor | --      |
| 10100110 | 7-line cursor | --      |
| 10100111 | 8-line cursor | --      |

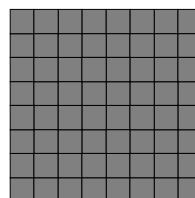
When cursor display is ON, this command selects the cursor pattern in the range 1 line to 8 lines. The cursor address is defined by the Set Cursor Pointer command.



1-line cursor



2-line cursor



8-line cursor

### 5.6 Data Auto Read/Write

| CODE     | HEX. | FUNCTION            | OPERAND |
|----------|------|---------------------|---------|
| 10110000 | B0H  | Set Data Auto Write | --      |
| 10110001 | B1H  | Set Data Auto Read  | --      |
| 10110010 | B2H  | Auto Mode Reset     | --      |

This command is convenient to send full screen data, or receive full screen data from built-in RAM. After setting auto mode, a Data Write (or Read) command is not need between each data. Data Auto Write (or Read) command should follow the Address Pointer Set command. After this command, the address pointer is automatically incremented by +1 after each data. After sending (or receiving) all data, Auto Mode Reset command is necessary to return normal operation because all data is regarded “display data” and no command can be accepted in the auto mode.

(Note) Status check for Auto mode (STA2 or STA3) should be checked between each data. Auto Reset should be performed after checking STA3=1(or STA2=1).

#### The flowchart for Data Auto Read/Write



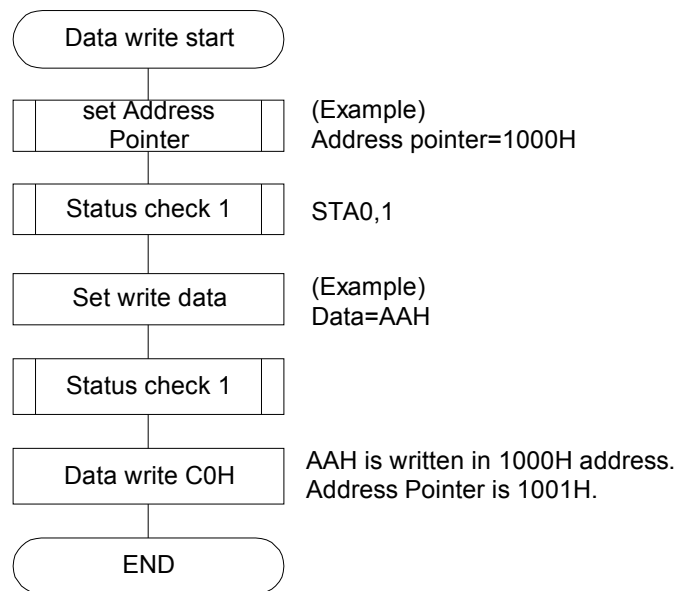
5.7 Data Read / Write

| CODE     | HEX. | FUNCTION                       | OPERAND |
|----------|------|--------------------------------|---------|
| 11000000 | C0H  | Data Write and Increment ADP   | Data    |
| 11000001 | C1H  | Data Read and Increment ADP    | --      |
| 11000010 | C2H  | Data Write and Decrement ADP   | Data    |
| 11000011 | C3H  | Data Read and Decrement ADP    | --      |
| 11000100 | C4H  | Data Write and Nonvariable ADP | Data    |
| 11000101 | C5H  | Data Read and Nonvariable ADP  | --      |

This command is used for writing data from MPU to display RAM, and reading data from display RAM to MPU. Data Write/Read should be executed after setting address by Set Address Pointer command. The address pointer can be automatically incremented or decremented by using this command.

(Note) This command is necessary for each 1 byte data.

The flowchart for Data Write

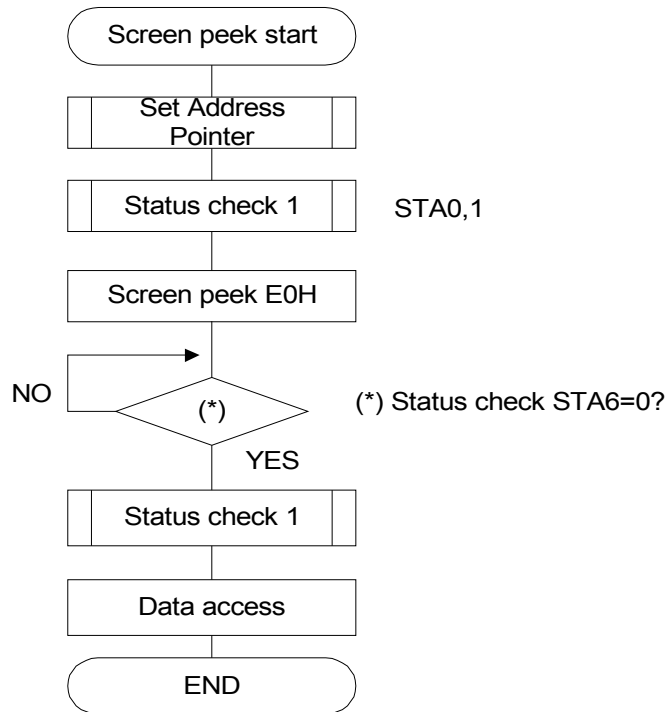


5.8 Screen Peek

| CODE     | HEX. | FUNCTION    | OPERAND |
|----------|------|-------------|---------|
| 11100000 | E0H  | Screen Peek | --      |

This command is used to transfer 1 byte displayed data to data stack, and this 1 byte data can be read from MPU by data read command. So, logical combination data of text and graphic display on LCD screen can be read by this command. Status (STA6) should be checked just after Screen Peek command. If the address determined by Set Address Pointer command is not in graphic RAM area, this command is ignored and status flag (STA6) is set.

The flowchart for Screen Peek command



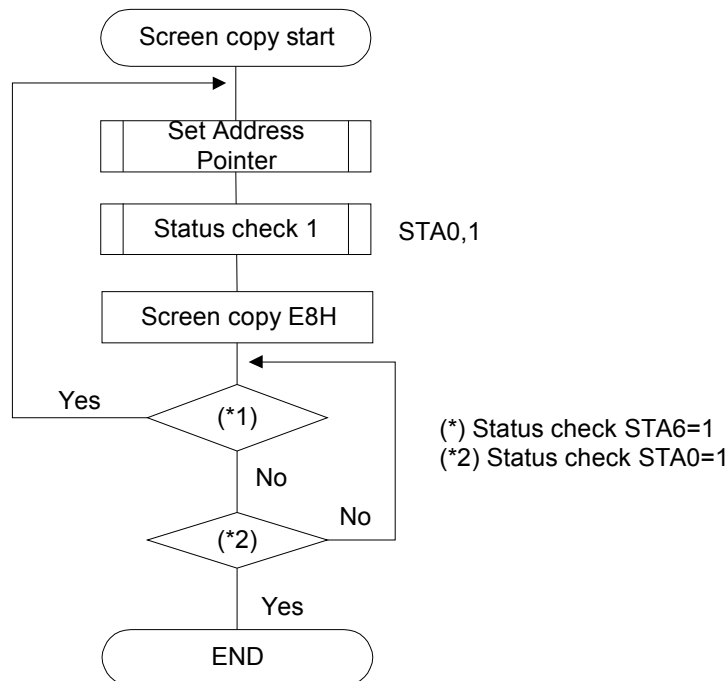
(Note) This command is available when hardware column number and software column number are the same. Software column number is related to Set Text Area and Set Graphic Area command. Set TA=20H, GA=20H when using this command.

### 5.9 Screen Copy

| CODE     | HEX. | FUNCTION    | OPERAND |
|----------|------|-------------|---------|
| 11101000 | E8H  | Screen Copy | --      |

This command copies 1 row data displayed on LCD screen to the graphic RAM area specified by Set Address Pointer command. Start point of 1 row data on the screen is determined by the Set Address Pointer command. If attribute function is being used, this command is not available. Status (STA6) should be checked just after this command. If the address determined by Set Address Pointer command is not located in graphic RAM area, this command is ignored and status flag (STA6) is set.

#### The flowchart for Screen Copy command



(Note) This command is available when hardware column number and software column number are the same. Software column number is related to Set Text Area and Set Graphic Area command. Set TA=20H, GA=20H when using this command.

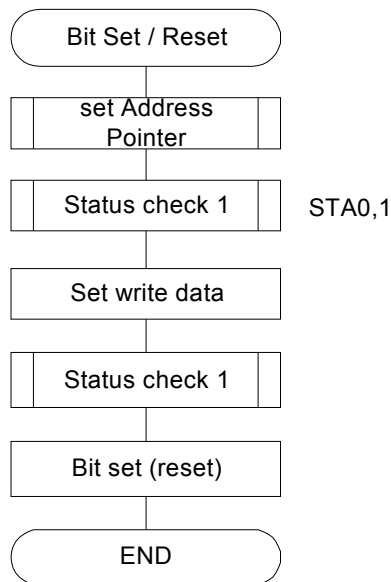
5.10 Bit Set / Reset

| CODE     | FUNCTION    | OPERAND |
|----------|-------------|---------|
| 11110XXX | Bit Reset   | --      |
| 11111XXX | Bit Set     | --      |
| 1111X000 | Bit 0 (LSB) | --      |
| 1111X001 | Bit 1       | --      |
| 1111X010 | Bit 2       | --      |
| 1111X011 | Bit 3       | --      |
| 1111X100 | Bit 4       | --      |
| 1111X101 | Bit 5       | --      |
| 1111X110 | Bit 6       | --      |
| 1111X111 | Bit 7 (MSB) | --      |

X : Don't care

This command is used to set or reset a bit of the byte specified by the address pointer. Only one bit can be set / reset at a time.

The flowchart for Bit Set/Reset command



## 6. INITIALIZATION

Initialization of controller T6963C is required for “Mode Set”, “Set Control Word” after power on. Following is an example of initialization procedure.

| Command   | C/D  | D7 | D6 | D5 | D4 | D3 | D2 | D1 | D0 | Note                            |
|---|--|----|----|----|----|----|----|----|----|---------------------------------|
| Power on  | Power on                                       |    |    |    |    |    |    |    |    |                                 |
| Reset (use reset terminal)                                  | /RST="L" (1 ms minimum after Vcc > 4.75V)      |    |    |    |    |    |    |    |    |                                 |
| Mode set  | 1  | 1  | 0  | 0  | 0  | 0  | 0  | 0  | 0  | “OR” mode                       |
| Control word set  | 0  | 0  | 0  | 0  | 0  | 0  | 0  | 0  | 0  | Graphic home address command    |
| Graphic home address set<br>(Graphic home address 0000H)    | 0  | 0  | 0  | 0  | 0  | 0  | 0  | 0  | 0  |                                 |
| Number of graphic area set<br>(Graphic 16 columns x 8 dots) | 1  | 0  | 1  | 0  | 0  | 0  | 0  | 1  | 0  | Number of graphic area command  |
|   | 0  | 0  | 0  | 0  | 1  | 0  | 0  | 0  | 0  |                                 |
|   | 0  | 0  | 0  | 0  | 0  | 0  | 0  | 0  | 0  |                                 |
| Text home address set<br>(Text home address 4000H)          | 1  | 0  | 1  | 0  | 0  | 0  | 0  | 1  | 1  | Text home address command       |
|   | 0  | 0  | 0  | 0  | 0  | 0  | 0  | 0  | 0  |                                 |
|   | 0  | 0  | 1  | 0  | 0  | 0  | 0  | 0  | 0  |                                 |
| Number of text area set<br>(Text 16 columns)                | 1  | 0  | 1  | 0  | 0  | 0  | 0  | 0  | 0  | Number of text area command     |
|   | 0  | 0  | 0  | 0  | 1  | 0  | 0  | 0  | 0  |                                 |
|   | 0  | 0  | 0  | 0  | 0  | 0  | 0  | 0  | 0  |                                 |
| (Initialization end)<br>(Data write)                        |  |    |    |    |    |    |    |    |    |                                 |
| Address pointer set<br>(Address pointer 0000H)              | 0  | 0  | 0  | 0  | 0  | 0  | 0  | 0  | 0  | Graphic address setting command |
|   | 0  | 0  | 0  | 0  | 0  | 0  | 0  | 0  | 0  |                                 |
|   | 1  | 0  | 0  | 1  | 0  | 0  | 1  | 0  | 0  |                                 |
| Data write (Graphic)  | 0  | 0  | 1  | 0  | 1  | 0  | 1  | 0  | 1  | Data command                    |
|   | 1  | 1  | 1  | 1  | 0  | 0  | 0  | 0  | 0  | Data command                    |
|   | 0  | 1  | 0  | 1  | 0  | 1  | 0  | 1  | 0  |                                 |
|   | 1  | 1  | 1  | 1  | 0  | 0  | 0  | 0  | 0  |                                 |
|   | --   | -- | -- | -- | -- | -- | -- | -- | -- |                                 |
|   | Address pointer set<br>(Address pointer 4000H) | 0  | 0  | 0  | 0  | 0  | 0  | 0  | 0  | 0                               |
| 0   |  | 0  | 1  | 0  | 0  | 0  | 0  | 0  | 0  |                                 |
| 1   |  | 0  | 0  | 1  | 0  | 0  | 1  | 0  | 0  |                                 |
| Data write (Text) (L)                                       | 0  | 0  | 0  | 1  | 0  | 1  | 1  | 1  | 1  | Data command                    |
|   | 1  | 1  | 1  | 0  | 0  | 0  | 0  | 0  | 0  | Data command                    |
| (A)   | 0  | 0  | 0  | 1  | 0  | 0  | 0  | 0  | 1  |                                 |
|   | 1  | 1  | 1  | 0  | 0  | 0  | 0  | 0  | 0  |                                 |
|   | --   | -- | -- | -- | -- | -- | -- | -- | -- |                                 |
| Display mode set<br>(Text/Graphic on)                       | 1  | 1  | 0  | 0  | 1  | 1  | 1  | 0  | 0  |                                 |

(Note) Status check should be inserted between all command and data.

## 7. CHARACTER GENERATOR

### 7.1 Character Generator ROM

Character generator ROM for 128 characters is built-in this module.

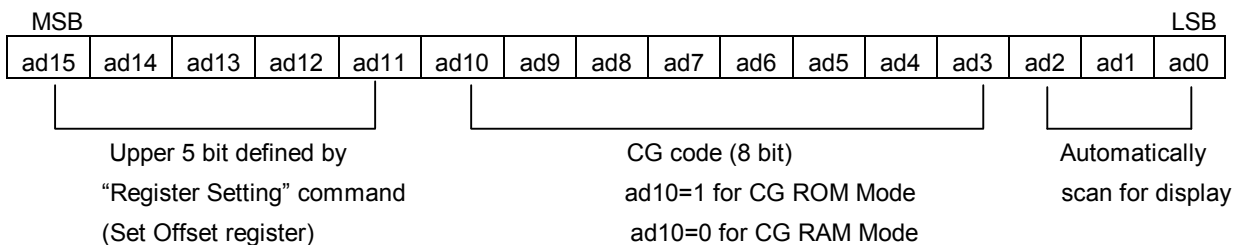
Character code map (ROM Code 0101)

| MSB \ LSB | 0 | 1 | 2 | 3 | 4  | 5 | 6 | 7 | 8 | 9 | A | B | C | D | E | F |
|-----------|---|---|---|---|----|---|---|---|---|---|---|---|---|---|---|---|
| 0         |   | ! | " | # | \$ | % | & | ' | ( | ) | * | + | , | - | . | / |
| 1         | 0 | 1 | 2 | 3 | 4  | 5 | 6 | 7 | 8 | 9 | : | ; | < | = | > | ? |
| 2         | a | A | B | C | D  | E | F | G | H | I | J | K | L | M | N | O |
| 3         | P | Q | R | S | T  | U | U | W | X | Y | Z | [ | \ | ] | ^ | _ |
| 4         | y | a | b | c | d  | e | f | g | h | i | j | k | l | m | n | o |
| 5         | p | q | r | s | t  | u | v | w | x | y | z | { |   | } | ~ |   |
| 6         | 0 | 1 | 2 | 3 | 4  | 5 | 6 | 7 | 8 | 9 | A | B | C | D | E | F |
| 7         | a | b | c | d | e  | f | g | h | i | j | k | l | m | n | o | p |

### 7.2 User Character Generator RAM

The character generator RAM is the built-in RAM which can be used as character generator after writing character pattern by program. Part of built-in RAM can be used as "User CG RAM" for 256 characters by selecting "CG RAM Mode", or for 128 characters by selecting "CG ROM Mode".

The upper 5 bits (NNNNN) in start address of User CG RAM is defined by "Registers Setting" command (Set Offset Register), and following 2048 bytes are defined as "User CG RAM" area when CG RAM Mode is selected; 1024 bytes (address: NNNNN10000000000 ~ NNNNN11111111111) is defined as "User CG RAM" area when CG ROM Mode is selected.





Relationship between User CG RAM Address and Offset Register

| Offset register data | CG RAM Address (start to end) |
|----------------------|-------------------------------|
| 00H                  | 0000H to 07FFH                |
| 01H                  | 0800H to 0FFFH                |
| 02H                  | 1000H to 17FFH                |
| --                   | --                            |
| 0EH                  | 7000H to 77FFH                |
| 0FH                  | 7800H to 7FFFH                |

Character pattern of specified CG code can be written in the pointed address by "Register setting" command (Set Address Pointer). 8 bytes of data should be sent to following 8 bytes of address for 1 character.

Example:

|                                       |                     |
|---------------------------------------|---------------------|
| Offset register                       | 02H                 |
| Character code                        | 80H                 |
| Character generator RAM start address | 0001 0100 0000 0000 |
|                                       | 1 4 0 0 H           |

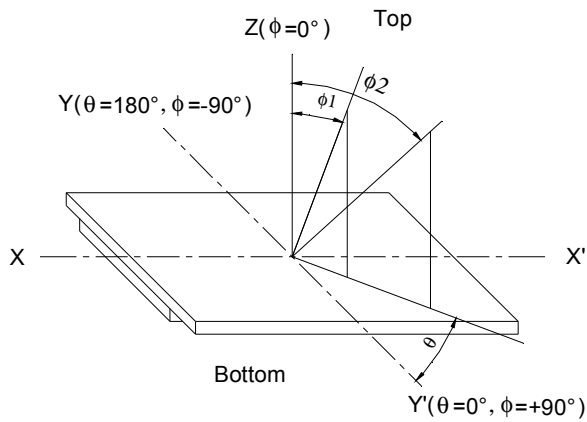
| ( address) | (data) |
|------------|--------|
| 1400H      | 00H    |
| 1401H      | 1FH    |
| 1402H      | 04H    |
| 1403H      | 04H    |
| 1404H      | 04H    |
| 1405H      | 04H    |
| 1406H      | 04H    |
| 1407H      | 00H    |

Character pattern can be displayed by sending CG code with "Data Write" command. But "Set Display Mode" for text display should be selected before using CG. In case that "CG ROM Mode" is selected, character pattern is selected from built-in CG ROM when MSB=0 (00H - 7FH), and from User CG RAM when MSB=1 (80H-FFH). In case that "CG RM Mode" is selected, all character patterns are selected from User CG RAM (00H-FFH). (Note) It must be careful so that User CG RAM area should not be rewritten by display data, etc.

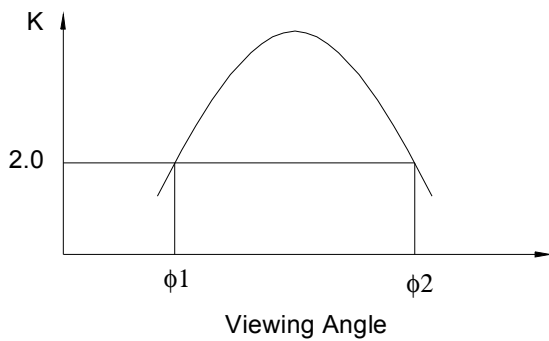
### 8. ELECTRO—OPTICAL CHARACTERISTICS ( $T_a=25^\circ\text{C}$ )

| Item          | Symbol          | Condition                          | Min. | Typ. | Max. | Unit | Note         |
|---------------|-----------------|------------------------------------|------|------|------|------|--------------|
| View Angle    | $\Phi 2-\Phi 1$ | $K \geq 2, \theta = 0^\circ$       | --   | 70   | --   | Deg  | Note1, Note2 |
| Contrast      | K               | $\Phi = 0^\circ, \theta = 0^\circ$ | 3    | --   | --   | --   | Note3        |
| Response Time | tr (rise)       | $\Phi = 0^\circ, \theta = 0^\circ$ | --   | 250  | --   | ms   | Note3        |
|               | tf (fall)       | $\Phi = 0^\circ, \theta = 0^\circ$ | --   | 250  | --   | ms   |              |

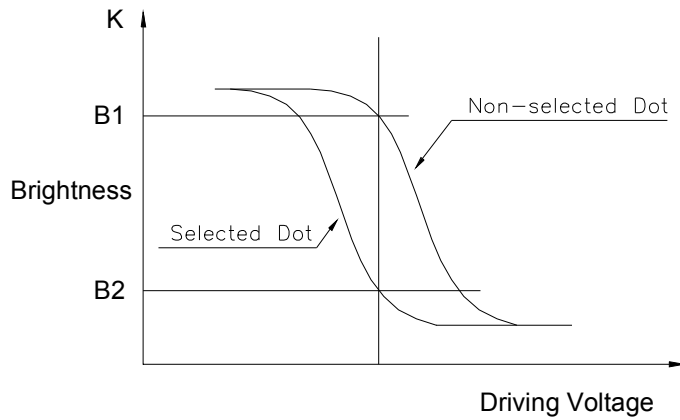
Note1: Definition of Viewing Angle  $\theta, \Phi$



Note2: Definition of viewing Angle Range:  $\Phi 1, \Phi 2$

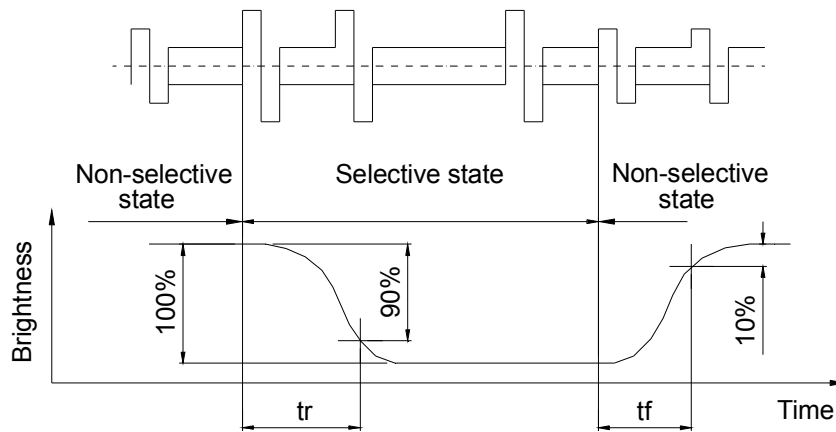


Note3: Definition of Contrast

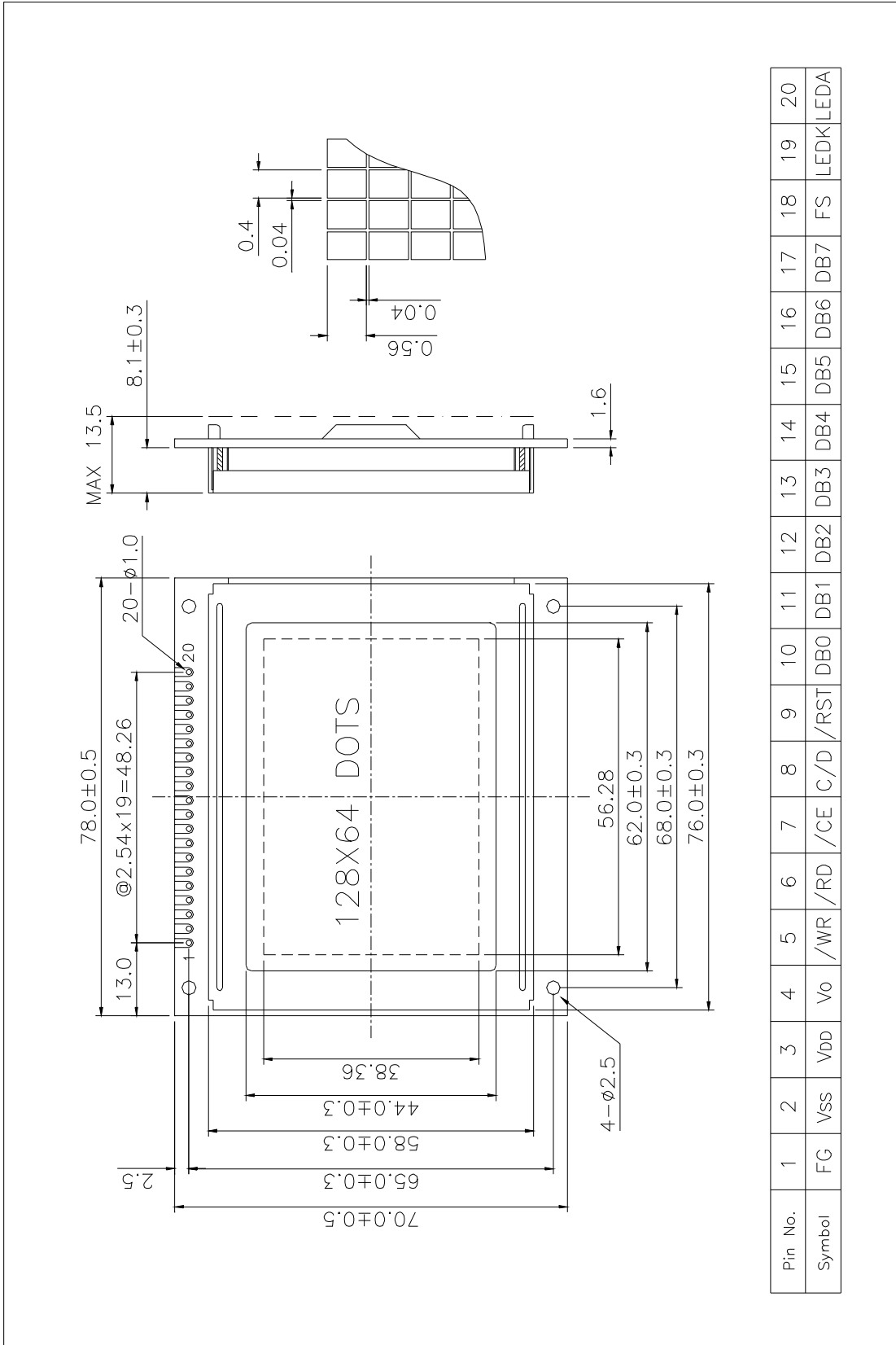


$$\text{Contrast} = \frac{\text{Brightness of non-selected dot (B1)}}{\text{Brightness of selected dot (B2)}}$$

Note4: Definition of Response Time



9. DIMENSIONAL OUTLINE



## 10. LCD MODULE NUMBERING SYSTEM

**L G 128 64 4 — B M D W H 6 V — XXXX**  
 (1) (2) (3) (4) (5) (6) (7) (8) (9) (10) (11) (12) (13)

(1) Brand

(2) Module type

**C** - Character module

**G** - Graphic module

(3) Display format

Character module : Number of characters per line, two digits XX

Graphic module : Number of columns, two or three digits XX or XXX

(4) Display format

Character module : Number of lines, one digit X

Graphic module : Number of rows, two or three digits XX or XXX

(5) Development number : One or two digits X or HX

(6) LCD mode

**T** - TN Positive, Gray

**N** - TN Negative, Blue

**S** - STN Positive, Yellow-green

**G** - STN Positive, Gray

**B** - STN Negative, Blue

**F** - FSTN Positive, White

**K** - FSTN Negative, Black

**L** - FSTN Negative, Blue

(7) Polarizer mode

**R** - Reflective

**F** - Transflective

**M** - Transmissive

(8) Backlight type

**N** - Without backlight

**L** - Array LED

**D** - Edge light LED

**E** - EL

**C** - CCFL

(9) Backlight color

**Y** - Yellow-green

**B** - Blue

**W** - White

**G** - Green

**A** - Amber

**R** - Red

**M** - Multi color

**Nil** - Without backlight

(10) Operating temperature range

**S** - Standard temperature ( 0 ~ +50 °C )

**H** - Extended Temperature ( -20 ~ +70 °C )

(11) Viewing direction

**3** - 3:00

**6** - 6:00

**9** - 9:00

**U** - 12:00

(12) DC-DC Converter

**N or Nil** - Without DC-DC converter

**V** - Built in DC-DC converter

(13) Version code

**Nil or 0~ZZZZ** - Version code

## 11. PRECAUTIONS FOR USE OF LCD MODULE

### 11.1 Handling Precautions

- 1) The display panel is made of glass. Do not subject it to a mechanical shock by dropping it from a high place, etc.
- 2) If the display panel is damaged and the liquid crystal substance inside it leaks out, be sure not to get any in your mouth. If the substance comes into contact with your skin or clothes, promptly wash it off using soap and water.
- 3) Do not apply excessive force on the surface of display or the adjoining areas of LCD module since this may cause the color tone to vary.
- 4) The polarizer covering the display surface of the LCD module is soft and easily scratched. Handle this polarizer carefully.
- 5) If the display surface of LCD module becomes contaminated, blow on the surface and gently wipe it with a soft dry cloth. If it is heavily contaminated, moisten cloth with one of the following solvents.

- Isopropyl alcohol
- Ethyl alcohol

Solvents other than those mentioned above may damage the polarizer.

Especially, do not use the following:

- Water
- Ketone
- Aromatic Solvents

- 6) When mounting the LCD module make sure that it is free of twisting, warping, and distortion. Distortion has great influence upon display quality. Also keep the stiffness enough regarding the outer case.
- 7) Be sure to avoid any solvent such as flux for soldering never stick to Heat-Seal. Such solvent on Heat-Seal may cause connection problem of heat-Seal and TAB.
- 8) Do not forcibly pull or bend the TAB I/O terminals.
- 9) Do not attempt to disassemble or process the LCD module.
- 10) NC terminal should be open. Do not connect anything.
- 11) If the logic circuit power is off, do not apply the input signals.
- 12) To prevent destruction of the elements by static electricity, be careful to maintain an optimum work environment.
  - Be sure to ground the body when handling the LCD module.
  - Tools required for assembly, such as soldering irons, must be properly grounded.
  - To reduce the amount of static electricity generated, do not conduct assembly and other work under dry conditions.
  - The LCD module is coated with a film to protect the display surface. Exercise care when peeling off this protective film since static electricity may be generated.

### 11.2 Storage Precautions

- 1) When storing the LCD module, avoid exposure to direct sunlight or to the light of fluorescent lamps and high temperature/high humidity. Whenever possible, the

LCD module should be stored in the same conditions in which they were shipped from our company.

- 2) Exercise care to minimize corrosion of the electrodes. Corrosion of the electrodes is accelerated by water droplets or a current flow in a high humidity environment.

### 11.3 Design Precautions

- 1) The absolute maximum ratings represent the rated value beyond which LCD module can not exceed. When the LCD modules are used in excess of this rated value, their operating characteristics may be adversely affected.
- 2) To prevent the occurrence of erroneous operation caused by noise, attention must be paid to satisfy VIL, VIH specification values, including taking the precaution of using signal cables that are short.
- 3) The liquid crystal display exhibits temperature dependency characteristics. Since recognition of the display becomes difficult when the LCD is used outside its designated operating temperature range, be sure to use the LCD within this range. Also, keep in mind that the LCD driving voltage levels necessary for clear displays will vary according to temperature.
- 4) Sufficiently notice the mutual noise interference occurred by peripheral devices.
- 5) To cope with EMI, take measures basically on outputting side.
- 6) If DC is impressed on the liquid crystal display panel, display definition is rapidly deteriorated by the electrochemical reaction that occurs inside the liquid crystal display panel. To eliminate the opportunity of DC impressing, be sure to maintain the AC characteristics of the input signals sent to the LCD Module.

### 11.4 Others

- 1) Liquid crystals solidify under low temperatures (below the storage temperature range) leading to defective orientation or the generation of air bubbles (black or white).  
Air bubbles may also be generated if the LCD module is subjected to a strong shock at a low temperature.
- 2) If the LCD modules have been operating for a long time showing the same display patterns, the display patterns may remain on the screen as ghost images and a slight contrast irregularity may also appear. A normal operating status can be regained by suspending use for some time. It should be noted that this phenomenon does not adversely affect performance reliability.
- 3) To minimize the performance degradation of the LCD modules resulting from destruction caused by static electricity, etc., exercise care to avoid touching the following sections when handling the module:
  - Terminal electrode sections.
  - Part of pattern wiring on TAB, etc.